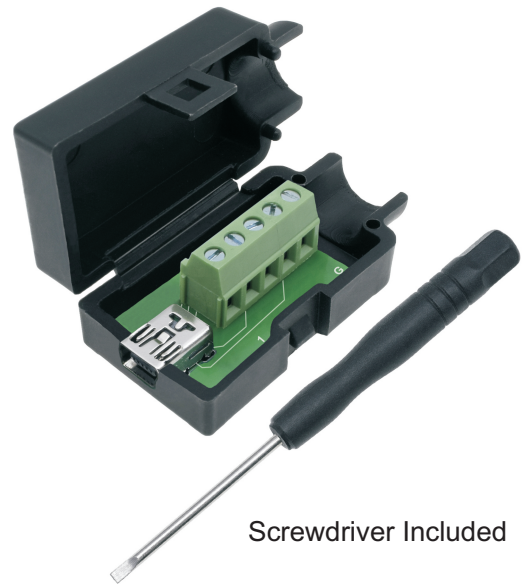
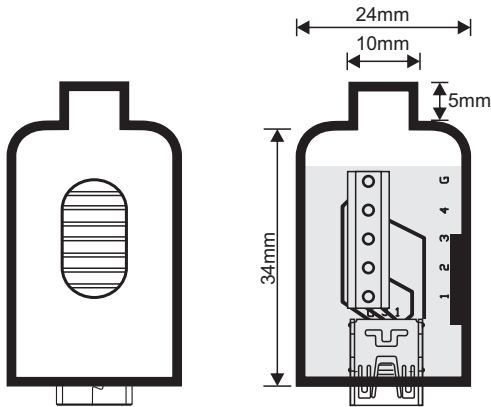
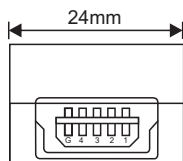
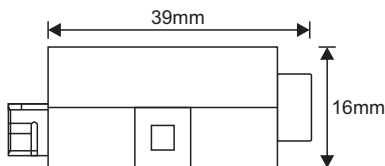


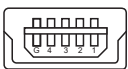
## Mini USB 2.0 Female Connector modular

Item No. 2001C207



Screwdriver Included



	1	2	3	4	5
	VBUS	D-	D+	ID	GND



Material:  
 Housing: PP  
 Insulator: PBT  
 Connector shell: SPCC with plated Ni 40µ min.  
 Contact: Brass with plated Au1µ  
 Technical:  
 Voltage rating: 30V max.  
 Current rating: 1.0A max.  
 Contact resistance: 500mΩ max.  
 Insulation resistance: 100MΩ min.  
 Dielectric withstanding voltage: 100V/AC(R.M.S)  
 Operation temperature: -20 ~85°C